

CASE STUDY

Dystrophin gene abnormalities in two patients with idiopathic dilated cardiomyopathy

Francesco Muntoni, Andrea Di Lenarda, Maurizio Porcu, Gianfranco Sinagra, Anna Mateddu, Gianni Marrosu, Alessandra Ferlini, Milena Cau, Jelena Milasin, Maria Antonietta Melis, Maria Giovanna Marrosu, Carlo Cianchetti, Antonio Sanna, Arturo Falaschi, Fulvio Camerini, Mauro Giacca, Luisa Mestroni

Neuromuscular Unit,
Department of
Paediatrics and
Neonatal Medicine,
Hammersmith
Hospital, London, UK
F Muntoni
A Ferlini

International Centre
for Genetic
Engineering and
Biotechnology e
Divisione di
Cardiologia, Ospedale
e Università di Trieste,
Trieste, Italy
A Di Lenarda
G Sinagra
J Milasin
A Falaschi
F Camerini
M Giacca
L Mestroni

Divisione di
Cardiologia, Ospedale
Brotzu, Italy
M Porcu
A Sanna

Istituto di
Neuropsichiatria
Infantile, Italy
A Mateddu
G Marrosu
M G Marrosu
C Cianchetti

Dipartimento di
Biologia e Clinica
dell'Età Evolutiva,
Cagliari, Italy
M Cau
M A Merlis

Correspondence to:
Dr Muntoni, Department of
Paediatrics and Neonatal
Medicine, Royal
Postgraduate Medical
School, Hammersmith
Hospital, Du Cane Road,
London W12 0NN, UK;
email: fmuntoni@rpgms.ac.uk

Accepted for publication
22 July 1997

Abstract

Two new cases of dilated cardiomyopathy (DC) caused by dystrophinopathy are reported. One patient, a 24 year old man, had a family history of X linked DC, while the other, a 52 year old man, had sporadic disease. Each had abnormal dystrophin immunostaining in muscle or cardiac biopsy specimens, but neither had muscle weakness. Serum creatine kinase activity was raised only in the patient with familial disease. Analysis of dystrophin gene mutations showed a deletion of exons 48-49 in the patient with familial DC and of exons 49-51 in the other. Dystrophin transcription in cardiac tissue from the patient with sporadic disease showed abundant expression, predominantly of the muscle isoform. This study, together with previous reports, suggests that some patients with DC have a dystrophinopathy that can be diagnosed using a combination of biochemical and genetic analyses.

(*Heart* 1997;78:608-612)

Keywords: dilated cardiomyopathy; dystrophin; Becker muscular dystrophy

Duchenne's (DMD) and Becker's muscular dystrophies (BMD) are allelic X linked neuromuscular disorders. They result from mutations in the dystrophin gene that, when severe as in DMD (nonsense or out of frame mutations), lead to lack of expression of the sarcolemmal protein dystrophin.¹ Up to one third of all cases of DMD and BMD arise from de novo mutations, so that a significant proportion of affected males have no family history of the condition.^{1,2} The absence of dystrophin in DMD causes severe and progressive muscle weakness, loss of ambulation before the age of 13, and death in the late teens or early twenties.³ BMD is a milder form of muscular dystrophy in which individuals are ambulant after the age of 16. These individuals usually have in frame deletions and residual expression of a partially functional dystrophin in the muscle.³

Cardiac involvement is an integral part of DMD and BMD.⁴⁻⁷ In rare instances, however, patients can suffer from dilated cardiomyopathy (DC) as the only manifestation of a dystrophinopathy. This has been now recognised in families with typical X linked DC⁸⁻¹¹ and in patients with sporadic disease.¹²⁻¹⁴ Unlike patients with DMD or BMD, these patients did not have symptoms of muscle weakness and the only sign of neuromuscular involvement was raised serum creatine kinase (CK) activity. Several patients had mutations clustered in the 5' end of the gene^{9,11,12}; a region not affected by mutations usually found in DMD and BMD. DC has also been reported in asymptomatic female carriers of DMD and BMD.¹⁵

Two cases of familial (X linked) and sporadic DC secondary to a dystrophinopathy are reported here.

Patients

The two patients described in this study originate from Italy. Ethical approval was obtained from the committees of the two hospitals involved in their assessment. Informed consent was obtained from each patient.

PATIENT 1

The first patient, a 24 year old man, was admitted in August 1991 after the recent onset of dyspnoea with mild physical activity. DC was diagnosed (left ventricular end diastolic diameter 73 mm; left ventricular end diastolic volume 107 ml/mq; left ventricular ejection fraction 27%) after exclusion of active myocarditis by endomyocardial biopsy and coronary artery disease by angiography. An electrocardiogram showed Q waves in the inferior and posterior leads and incomplete right bundle branch block. Sustained ventricular arrhythmias were detected after 24 hour Holter monitoring. Among the biochemical investigations, constantly raised serum CK activity (MM isoform, ranging between 540 and 867 U/l, normal < 200 U/l) was found. Neurological investigation failed to show any weakness or muscle wasting or hypertrophy. The patient denied symptoms of neuromuscular involvement such as cramps or myalgias associated

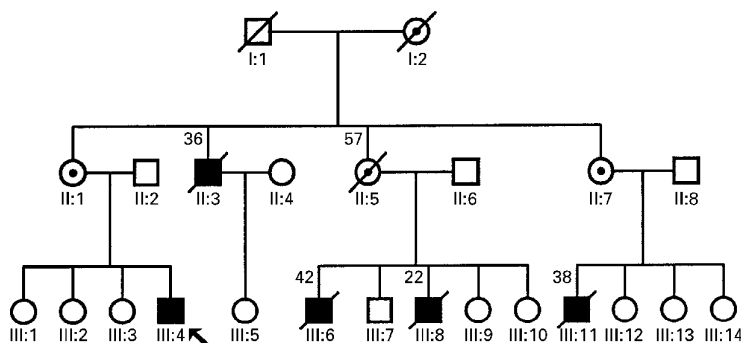


Figure 1 Pedigree of family with X linked cardiomyopathy. Open symbols, unaffected individuals; closed circles, affected individuals; barred symbols, deceased (number above is age at death); dotted circles, obligate carriers; arrow, propositus.

with exercise. He improved following treatment with digitalis, enalapril, and metoprolol and remained in New York Heart Association (NYHA) class I–II. During follow up the left ventricular dimension slightly diminished (left ventricular end diastolic diameter 70 mm), although the systolic function remained significantly depressed (left ventricular ejection fraction 37%) with diffuse wall motion abnormalities, more evident in the inferoposterior region. Mild right ventricular dysfunction was observed at radionuclide angiography (right ventricular ejection fraction 35%). At the last follow up (1996) the patient was in NYHA class II with a peak consumption of oxygen of 14.4 ml/kg/min (anaerobic threshold 5.8 ml/kg/min) and without evidence of electrical ventricular instability with Holter monitoring or during exercise.

Analysis of the pedigree disclosed a strong family history of DC suggestive of an X linked inheritance (fig 1). Individuals II:3, III:6, and III:11 (fig 1) had been affected by DC and died at the ages of 36, 42, and 38, respectively. Moreover, a maternal aunt (individual II:5, fig 1), an obligate carrier for the condition, also died of DC at the age of 57. Interestingly, individual III:8 had DMD and died because of respiratory complications at the age of 22. All other affected members did not have signs of skeletal muscle involvement, at least as far as could be assessed from their medical records and questioning their relatives. A needle muscle biopsy specimen from the propositus (individual III:4, fig 1) was obtained to investigate the possibility of an underlying dystrophinopathy.

PATIENT 2

The second patient, a 52 year old man, died shortly after cardiac transplantation in 1994. He was employed in the chemical industry and was physically active until the age of 50 when he presented with the first symptoms of cardiac failure. There was no family history of cardiovascular disease. The patient smoked 20 cigarettes daily and admitted moderate alcohol intake until the age of 50, when he developed a gastric peptic ulcer that eventually required surgical excision. On examination, aged 52, he was dyspnoeic at rest and a systolic murmur was present over the mitral valve. There was an additional third tone, but no raised jugular

venous pressure or peripheral oedema. His liver was enlarged and neurological examination failed to show muscle atrophy or pseudohypertrophy. His muscle strength was normal, as was serum CK activity (84 U/l). Negative T waves in leads V5–V6 were seen on the electrocardiogram. Echocardiography showed a dilated left ventricle (left ventricular end diastolic diameter 70 mm, left ventricular ejection fraction 20%). The right ventricle and both atria were also dilated. Moderate mitral and tricuspid valve regurgitation was also found. Right heart catheterisation disclosed pulmonary hypertension, (pulmonary artery pressure 68/30 mm Hg, mean 42 mm Hg), and a reduced cardiac index (2.0 l/min/m²). Despite medical treatment with angiotensin converting enzyme inhibitors, digitalis, and diuretics the patient deteriorated clinically and he underwent cardiac transplantation nine months later. In the early postoperative period he suffered from multiorgan failure and died shortly after.

Methods

IMMUNOHISTOCHEMICAL STUDY OF SKELETAL AND CARDIAC MUSCLE

A cardiac biopsy specimen obtained at cardiac transplantation, and a needle biopsy specimen of skeletal muscle taken from patient 1 were immediately frozen in liquid nitrogen cooled isopentane and stored at -70°C or in liquid nitrogen. The specimens were fully processed for histological, histochemical, and immunohistochemical examination.¹⁶ In particular, unfixed cryostat sections (6 μm) were immunostained using a panel of six antidystrophin antibodies, including the monoclonal antibody DYS1808 (Ylem, Italy), as already described.¹⁷

DNA STUDIES

DNA was isolated from leucocytes by standard methods. Multiplex DNA amplification of dystrophin exons was carried out according to previously described techniques.^{18 19}

REVERSE TRANSCRIPTION AND POLYMERASE CHAIN REACTION

Total RNA²⁰ was isolated from control frozen skeletal muscle and heart and from the left ventricle of patient 2. cDNA synthesis was performed using random hexanucleotide primers, following the procedure already described.^{21 22} Polymerase chain reaction was performed using forward primers designed to amplify the muscle, brain, and Purkinje cell isoforms and an exon 6 reverse primer as already described.²¹

Results

IMMUNOHISTOCHEMICAL ANALYSIS

The skeletal muscle biopsy specimen from the propositus showed mild dystrophic changes, characterised by an increase in internal nuclei (12%), mild variability of fibre size with hypotrophic and hypertrophic fibres, and rare fibre splittings in an otherwise well preserved muscle. There were no signs of degeneration or regeneration and only a marginal increase in connective tissue. Immunohistochemistry

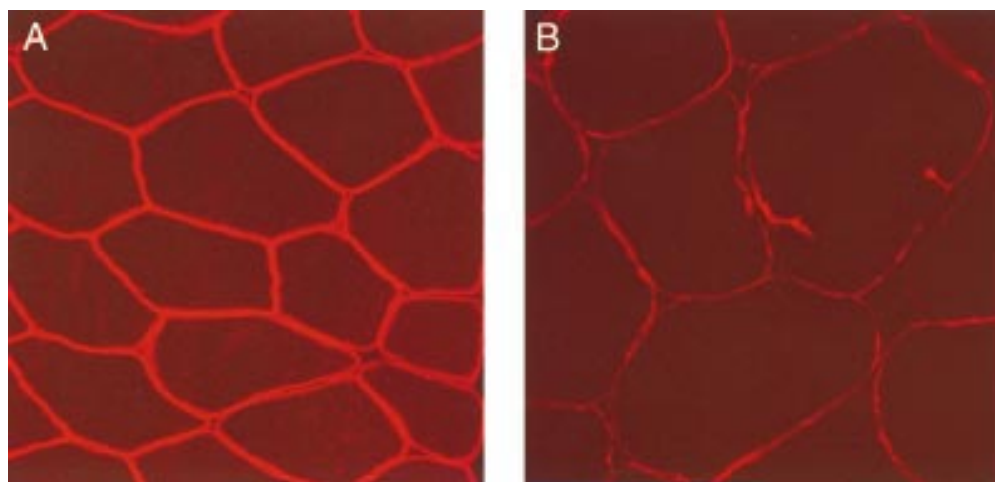


Figure 2 Immunohistochemical staining of skeletal muscle with Dys-III N terminus antidystrophin antibodies. (A) Normal muscle: all fibres equally and intensely stained (original magnification $\times 280$). (B) Muscle from patient 1: staining is weaker than control muscle, suggesting a dystrophinopathy (original magnification $\times 280$).

performed with the panel of antidystrophin antibodies showed variability in the immunoreaction between adjacent fibres (fig 2), the level of dystrophin expression being weaker than control muscle (fig 2).

Skeletal muscle samples were not available from patient 2. His cardiac biopsy specimen showed significant fibrosis, separating individual cardiomyocytes in some areas, and gross variability of fibre size mainly due to hypertrophic cardiomyocytes. A few cardiac cells undergoing degeneration were also seen. Immunostaining with antibodies directed towards the N terminal, mid-rod, and C terminal domain of dystrophin was strong and continu-

ous, although there was some variability between adjacent fibres, mostly visible using N terminal antibodies (fig 3). There was no staining, however, using the terminal rod domain antibodies DYS-1808, suggesting the presence of a mutation in the genomic region encoding for this epitope (fig 3). Previous studies indicate that such region exists between exons 49 and 51.²³

Western blot analysis²² showed a slight reduction in the amount of dystrophin expression with a small decrease in molecular weight (fig 4).

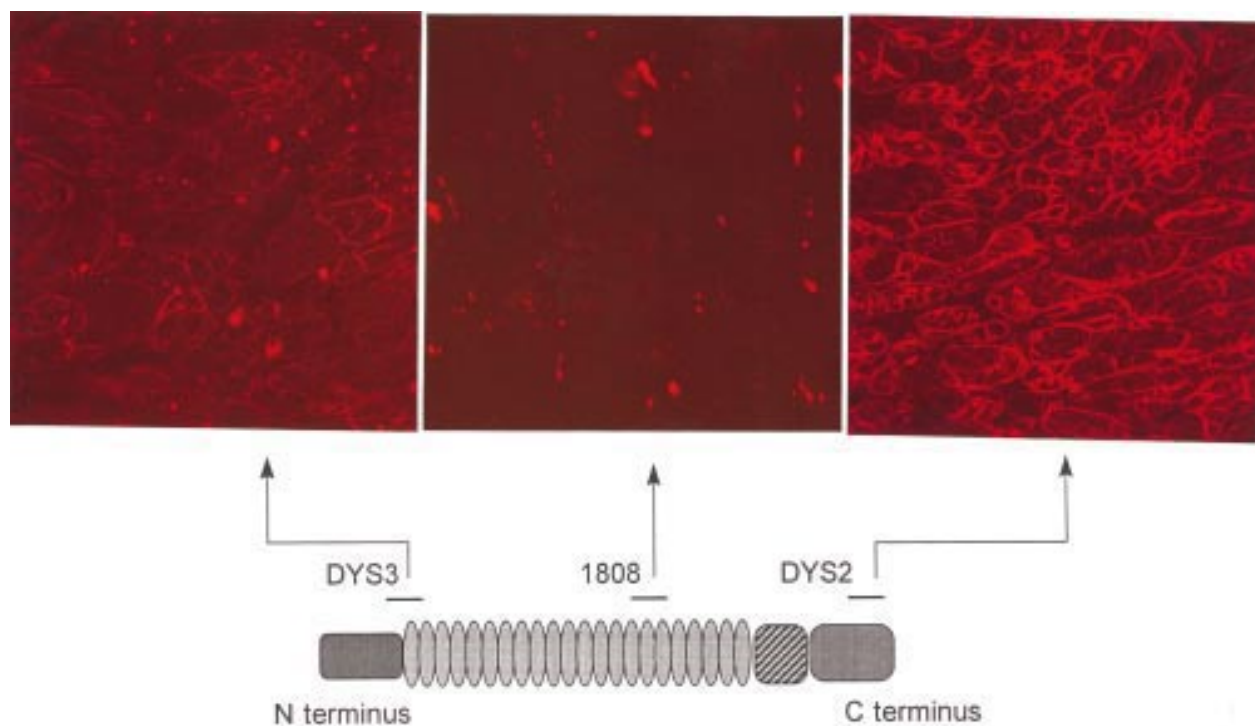


Figure 3 Top, immunohistochemical staining of cardiac muscle from patient 2 using antidystrophin antibodies. Bottom, protein dystrophin and epitopes of three of the antibodies used in the study. Top left, N terminus antidystrophin antibodies (Dys3) with a near normal reaction; top middle, no staining was visible with mid-rod domain 1808 antidystrophin antibodies; top right, reduced staining with Dys2 C terminus antidystrophin antibodies (original magnifications $\times 320$).

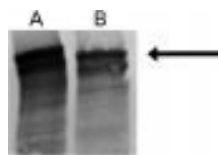


Figure 4 Western blot analysis of cardiac biopsy from (A) control and (B) patient 2, probed with mid-rod anti-dystrophin antibody (P6).²² Note the slight reduction in abundance and molecular weight of dystrophin in the patient (arrow).

DYSTROPHIN GENE ANALYSIS

Multiplex polymerase chain reaction deletion study showed deletion of the central region of dystrophin (data not shown). In the patient with sporadic disease in frame deletion of exons 49–51 was found, while the propositus of the family with DC had a deletion of exons 48–49, which was subsequently confirmed in the obligate carriers (II:1 and II:7).

TRANSCRIPTION STUDIES

Transcription of dystrophin muscle, brain, and Purkinje cell isoforms from the heart of patient 2 resulted in a pattern of isoform expression indistinguishable from that in control heart. Expression of the muscle isoform was high, while that of the brain was low. Purkinje cell isoforms were not expressed (fig 5).

Discussion

Cardiac involvement is very common in DMD and BMD. Almost all patients with DMD have signs of cardiac involvement in the late stages of their disease,⁵ while various authors have reported an incidence of cardiac involvement in patients with BMD of approximately 60–65%.^{5–7}

Our group recently reported that the dystrophin gene is also involved in some patients with X linked DC.^{9–11} Dystrophin expression and transcription in these families showed that dystrophin was absent in the heart but not in skeletal muscle, thereby providing a biochemical explanation for severe cardiomyopathy.^{11–21} The fact that several patients with X linked DC carried unusual but similar mutations in the extreme 5' end of the gene^{9–11} suggests a link between these mutations and the prevalent cardiac involvement. In contrast, there is still no information on the precise prevalence of dystrophin abnormalities in a population of patients with DC. The only study that has addressed this issue was performed on 27 males with DC, but dystrophin deletion was not found, suggesting that the frequency of dystrophinopathy in the population of patients with DC is probably low.²⁵

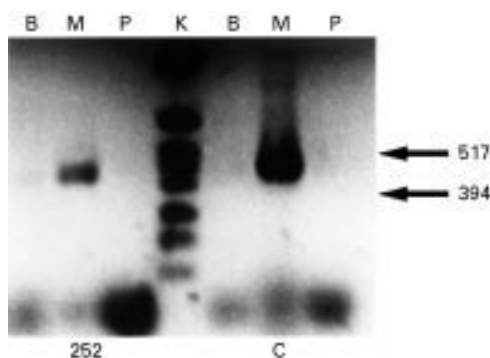


Figure 5 Amplification of cDNA from normal cardiac muscle (C) and the cardiac biopsy from patient 1 (252). Dystrophin muscle isoform (M) was amplified as a 494 base pair fragment, the brain isoform (B) as 482 base pairs, and the Purkinje cell isoform (P) as 503 base pairs. The cardiac muscle biopsy from patient 1 showed transcription of trace amount of isoform B and higher expression of isoform M, but no expression of isoform P. The control cardiac tissue showed an identical pattern of isoform transcription with a trace amount of isoform B and high expression of isoform M. Lane K, molecular weight marker.

Two further cases of DC without muscle weakness due to a dystrophinopathy are reported here. In each patient there was a deletion in the central rod domain of dystrophin, a region located in the dystrophin deletion “hot spot”. Identical mutations are typically associated with mild BMD.^{2–26} The reason for the lack of skeletal muscle involvement in our patients with a “typical BMD deletion” is unclear, but intriguing, especially considering that the patient with sporadic disease had normal serum CK activity. The mechanism of cardiac involvement in our patients is likely to be different from that in patients with mutations in the 5' of the gene, in whom cardiac expression of dystrophin could not be found.^{11–24} Indeed, high levels of cardiac dystrophin expression were seen in the patient with sporadic disease with a deletion of exons 49–51 using both immunocytochemistry and western blot analysis. Moreover, the transcription pattern in this patient was indistinguishable from that seen in normal heart—that is, prevalent expression of the muscle isoform with lower expression of the brain isoform.²¹ Unfortunately, cardiac muscle was not available from the other patient with a deletion of exons 48–49.

Various authors have reported a high incidence of cardiac involvement in patients with BMD with deletions involving exon 49, while deletion of only exon 48 are less frequently associated with a cardiomyopathy.^{7–27–28} It has been proposed that intron 48 might contain sequences relevant to the function of dystrophin in cardiac muscle. This intronic sequence would be removed or preserved by an intragenic deletion involving exon 48, depending on the break point within intron 48, while any deletion encompassing both exons 48 and 49 would remove these sequences.^{7–28} Another possibility is that exon 49 contains a domain with an essential function for the heart. Recent analysis of dystrophin has shown, for example, the presence of a calcium binding domain within the cysteine rich region,²⁹ while a WW domain, involved in mediating protein protein interaction, is present in exons 62–64.³⁰ Exon 49 is located in the central region of dystrophin, however, where the protein has an organisation similar to that of the coiled coil repeats of spectrin.³¹ Exon 49 is contained entirely in repeat 19³¹ and therefore it seems unlikely to have a structure that might account for a specific and unique function in the heart.

We have no explanation as to why a cousin of the patient in the family with DC was affected by DMD, while the three remaining individuals had no signs of skeletal muscle involvement. One possibility is that of a second mutation in the dystrophin gene. Such an eventuality has been reported,^{32–33} although it is rare. Unfortunately, DNA or skeletal muscle was not available from this patient.

Our results suggest that a deletion of the dystrophin region involved in the cases reported here can give rise not only to BMD, but also to DC. Intriguingly, serum CK activities can be normal, as highlighted by our patient with sporadic disease. High serum CK activi-

ties are therefore not essential for suspecting DC secondary to a dystrophinopathy.

In conclusion, two cases of DC secondary to a dystrophin mutation are reported. The findings suggest that involvement of dystrophin can be responsible for idiopathic DC, although its incidence is probably low.²⁵ Combined genetic and biochemical studies on a larger patient population are needed to clarify the prevalence of dystrophin abnormalities in patients with DC.

This work was financed by grants from the Muscular Dystrophy Group of Great Britain and Northern Ireland, the British Heart Foundation (FM), the Associazione Amici del Cuore of Trieste, the National Research Council (CNR 95, 04378.CT04, 95.00824.CT04, 95.01670.CT04, A195.00346.04), and Telethon-Italy (E.291; CC).

- Koenig M, Hoffman EP, Bertelson CJ, Monaco AP, Feener C, Kunkel LM. Complete cloning of the Duchenne muscular dystrophy (DMD) cDNA and preliminary genomic organization of the DMD gene in normal and affected individuals. *Cell* 1987; **50**:509-17.
- Monaco A, Bertelson C, Liechti-Gallati SHM, Kunkel LM. An explanation for the phenotypic differences between patients bearing partial deletions of the DMD locus. *Genomics* 1988; **2**:90-5.
- Dubowitz V. *Muscle disorders in childhood*. 2nd edn. London: WB Saunders, 1995.
- Perloff JK, de Leon AC, O'Doherty D. The cardiomyopathy of progressive muscular dystrophy. *Circulation* 1966; **33**: 625-48.
- Nigro G, Comi L, Politano L, Bain R. The incidence and evolution of cardiomyopathy in Duchenne and Becker muscular dystrophies. *Int J Cardiol* 1990; **26**:271-7.
- Stearse SE, Dubowitz V, Benatar A. Subclinical cardiomyopathy in Becker muscular dystrophy. *Br Heart J* 1992; **68**: 304-8.
- Melacini P, Famin M, Danieli GA, Fasoli G, Villanova C, Angelini C, et al. Cardiac involvement in Becker muscular dystrophy. *J Am Coll Cardiol* 1993; **22**:1927-34.
- Towbin JA, Hejtmancik JF, Brink P, Gelb B, Zhu XM, Chamberlain JS, et al. X-linked cardiomyopathy. Molecular genetic evidence of linkage to the Duchenne muscular dystrophy (dystrophin) gene at the Xp21 locus. *Circulation* 1993; **87**:1854-65.
- Muntoni F, Cau M, Congiu R, Ganau A, Arvedi G, Mateddu A, et al. Deletion of the dystrophin muscle-promoter region associated with X-linked dilated cardiomyopathy. *N Engl J Med* 1993; **329**:921-5.
- Franz WM, Cremer M, Herrmann R, Grünig E, Fogel W, Scheffold T, et al. X-linked dilated cardiomyopathy. Novel mutation of the dystrophin gene. *Ann N Y Acad Sci* 1995; **752**:470-91.
- Yoshida K, Ikeda S, Nakamura A, Kagoshima M, Milasin J, Muntoni F, et al. A point mutation in the 5' splice site of the dystrophin gene first intron responsible for X-linked dilated cardiomyopathy. *Hum Mol Genet* 1996; **5**:73-9.
- Takeda S, Shoji S, Yanagisawa N. Molecular analysis of the Duchenne muscular dystrophy gene in patients with Becker muscular dystrophy presenting with dilated cardiomyopathy. *Muscle Nerve* 1993; **16**:1161-6.
- Odfords A, Eriksson BO, Kyllerman M, Martinsson T, Wahlstrom J. Dilated cardiomyopathy and the dystrophin gene: an illustrated review. *Br Heart J* 1994; **72**:344-8.
- Piccolo G, Azan G, Tonin P, Arbustini E, Gavazzi A, Banfi P, et al. Dilated cardiomyopathy requiring cardiac transplantation as initial manifestation of Xp21 Becker type muscular dystrophy. *Neuromuscul Disord* 1994; **4**:143-6.
- Mirabella M, Servidei S, Manfredi G, Ricci E, Frustaci A, Bertini E, et al. Cardiomyopathy may be the only clinical manifestation in female carriers of Duchenne muscular dystrophy. *Neurology* 1993; **43**:2342-5.
- Dubowitz V. *Muscle biopsy: a practical approach*. 2nd edn. Eastbourne: Bailliere Tindall, 1985.
- Muntoni F, Mateddu A, Cianchetti C, Marrosu MG, Cau M, Congiu R, et al. Dystrophin analysis using a panel of anti-dystrophin antibodies in Duchenne and Becker muscular dystrophy. *J Neurol Neurosurg Psychiatry* 1993; **56**: 26-31.
- Chamberlain JS, Gibbs RA, Ranier JE, Nguyen PN, Caskey CT. Deletion screening of the Duchenne muscular dystrophy locus via multiplex DNA amplification. *Nucleic Acids Res* 1988; **6**:11141-56.
- Beggs AH, Koenig M, Boyce F, Kunkel LM. Detection of 98% of DMD/BMD gene deletions by polymerase chain reaction. *Hum Genet* 1990; **86**:45-8.
- Chomczynsky P, Sacchi N. Single step method of RNA isolation by acid guanidinium thiocyanate phenol chloroform extraction. *Anal Biochem* 1987; **162**:156-9.
- Muntoni F, Melis MA, Ganau A, Dubowitz V. Transcription of the dystrophin gene in normal tissues and in skeletal muscle of a family with X-linked dilated cardiomyopathy. *Am J Hum Genet* 1995; **56**:151-7.
- Sherrat TG, Vulliamy T, Dubowitz V, Sewry CA, Strong P. Exon skipping and translation in patients with frameshift deletions in the dystrophin gene. *Am J Hum Genet* 1993; **53**:1007-15.
- Sealock R, Butler MH, Kramarcy NR, Gao KX, Murnane AA, Douville K, et al. Localization of dystrophin relative to acetylcholine receptor domains in electric tissue and adult and cultured skeletal muscle. *J Cell Biol* 1991; **113**:133-44.
- Muntoni F, Wilson L, Wang Y, Marrosu G, Marrosu MG, Cianchetti C, et al. A mutation in the dystrophin gene specifically affecting dystrophin expression in the heart. *J Clin Invest* 1995; **96**:693-9.
- Michels VV, Pastores GM, Moll PP, Driscoll DJ, Miller FA, Burnett JC, et al. Dystrophin analysis in idiopathic dilated cardiomyopathy. *J Med Genet* 1993; **30**:955-7.
- Beggs AH, Hoffman EP, Snyder JR, Arahata K, Specht L, Shapiro F, et al. Exploring the molecular basis for variability among patients with Becker muscular dystrophy: dystrophin gene and protein studies. *Am J Hum Genet* 1991; **49**:54-67.
- Politano L, Colonna Romano S, Esposito MG, Nigro V, Comi LI, Passamano L, et al. Genotype-phenotype correlation in patients with deletions of the Duchenne/Becker gene. *Acta Cardiol* 1991; **2**:239-44.
- Nigro G, Politano L, Nigro V, Petretta VR, Comi L. Mutation of dystrophin gene and cardiomyopathy. *Neuromuscul Disord* 1994; **4**:371-9.
- Milner RE, Bussan JL, Michalak M. Isolation and characterization of different C-terminal fragments of dystrophin expressed in *Escherichia coli*. *Biochem J* 1992; **288**:1037-44.
- Sudol M. Structure and function of the WW domain. *Prog Biophys Mol Biol* 1996; **65**:113-32.
- Winder SJ, Gibson TJ, Kendrick-Jones J. Dystrophin and utrophin: the missing links. *FEBS Lett* 1995; **369**:27-33.
- Miciak A, Keen A, Jadavil D, Bunday S. Multiple mutation in an extended Duchenne muscular dystrophy family. *J Med Genet* 1992; **29**:123-6.
- Laing NG, Layton MG, Johnsen RD, Chandler DC, Mears ME, Goldblatt J, et al. Two distinct mutations in a single dystrophin gene: chance occurrence or premutation? *Am J Med Genet* 1992; **42**:688-92.



Dystrophin gene abnormalities in two patients with idiopathic dilated cardiomyopathy

Francesco Muntoni, Andrea Di Lenarda, Maurizio Porcu, Gianfranco Sinagra, Anna Mateddu, Gianni Marrosu, Alessandra Ferlini, Milena Cau, Jelena Milasin, Maria Antonietta Melis, Maria Giovanna Marrosu, Carlo Cianchetti, Antonio Sanna, Arturo Falaschi, Fulvio Camerini, Mauro Giacca and Luisa Mestroni

Heart 1997 78: 608-612
doi: 10.1136/hrt.78.6.608

Updated information and services can be found at:
<http://heart.bmj.com/content/78/6/608>

References

These include:

This article cites 29 articles, 9 of which you can access for free at:
<http://heart.bmj.com/content/78/6/608#BIBL>

Email alerting service

Receive free email alerts when new articles cite this article. Sign up in the box at the top right corner of the online article.

Topic Collections

Articles on similar topics can be found in the following collections

[Dilated cardiomyopathy](#) (274)
[Drugs: cardiovascular system](#) (8120)
[Heart failure](#) (535)
[Clinical diagnostic tests](#) (4472)

Notes

To request permissions go to:
<http://group.bmj.com/group/rights-licensing/permissions>

To order reprints go to:
<http://journals.bmj.com/cgi/reprintform>

To subscribe to BMJ go to:
<http://group.bmj.com/subscribe/>